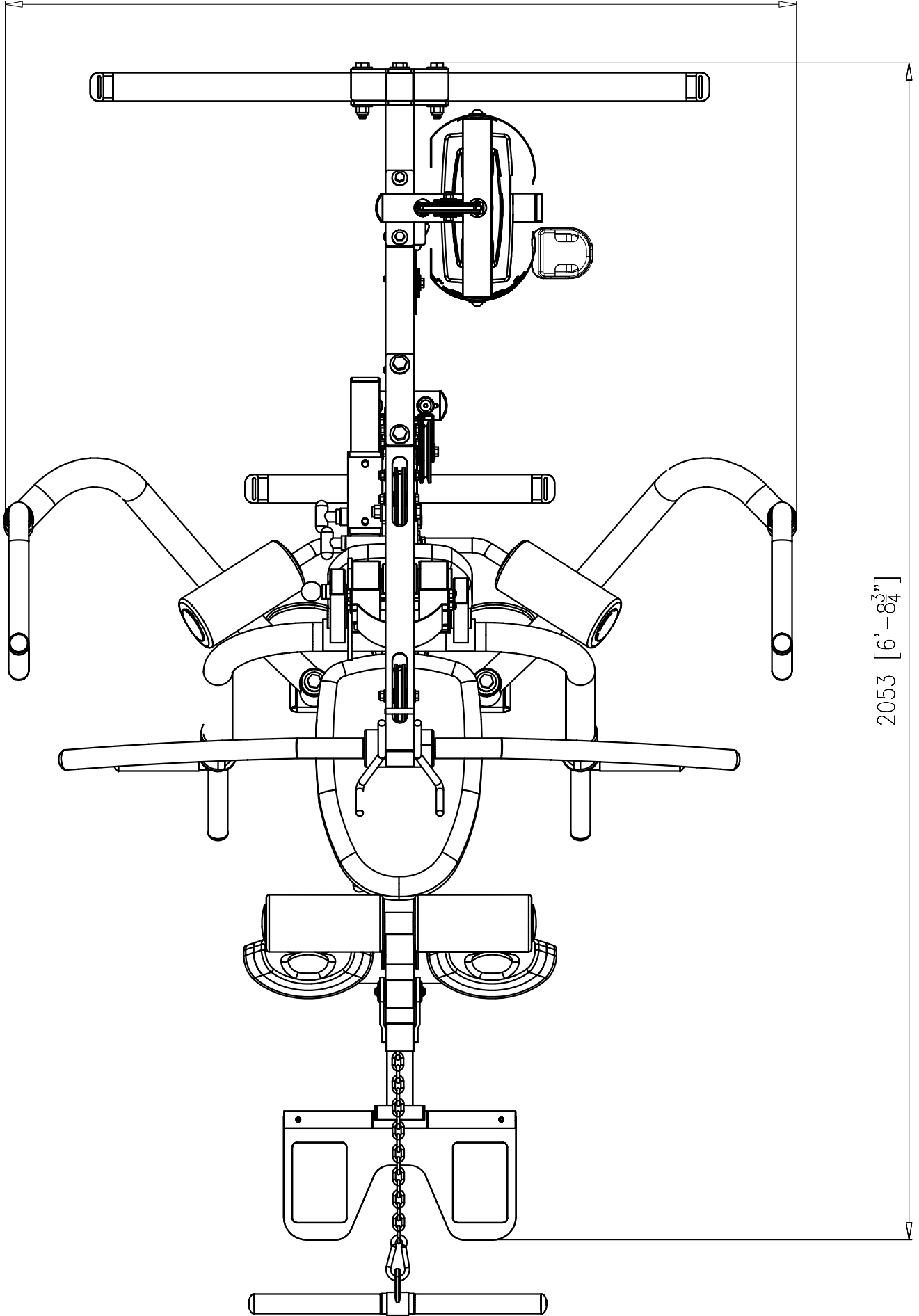


1380 [4'-6 $\frac{1}{4}$ "]



2053 [6'-8 $\frac{3}{4}$ "]